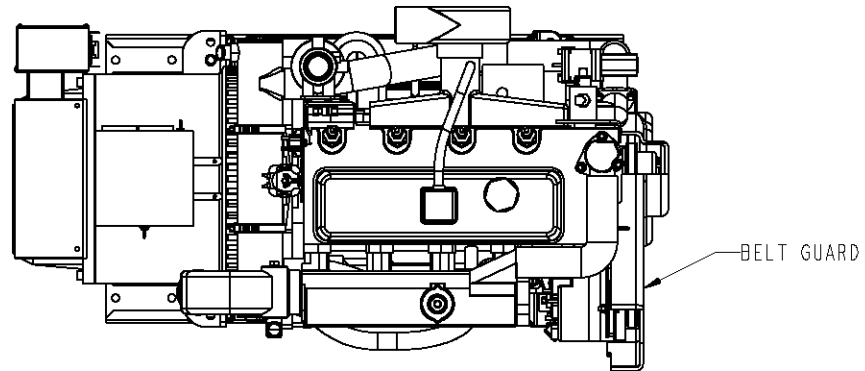


ECO NO.	DATE	REV.	REVISION RECORD	AUTH.	DR. BY
3823	8-19 1998	A	REVISED AND REDRAWN ON D SIZE FORMAT		JM
4293	11-15 1999	B	EXHAUST ELBOW O.D. 3" WAS 2"		JM
4314	11-29 1999	C	REVISED BREAKER BOX MOUNTING		JM
5350	8-20 02	D	UPDATE ASM TO REFLECT CURRENT BOM		BM
5424	12-12 02	E	ADDED PART #48076 TO ASSEMBLY		BM

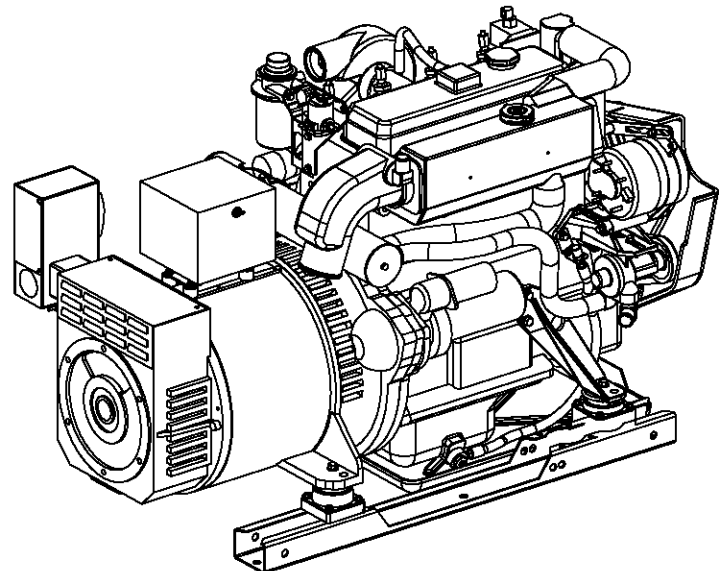
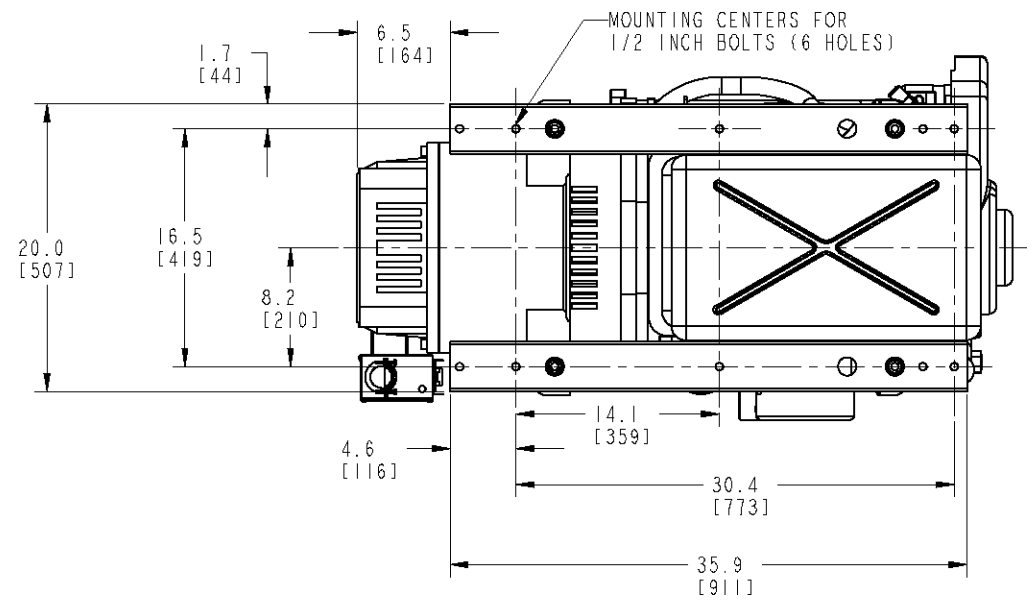
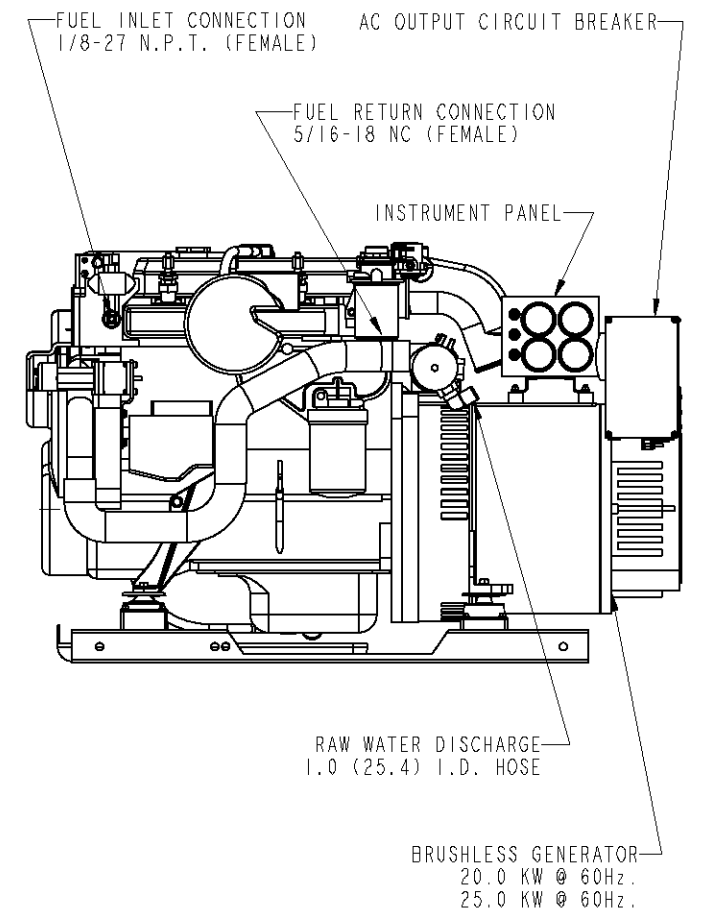
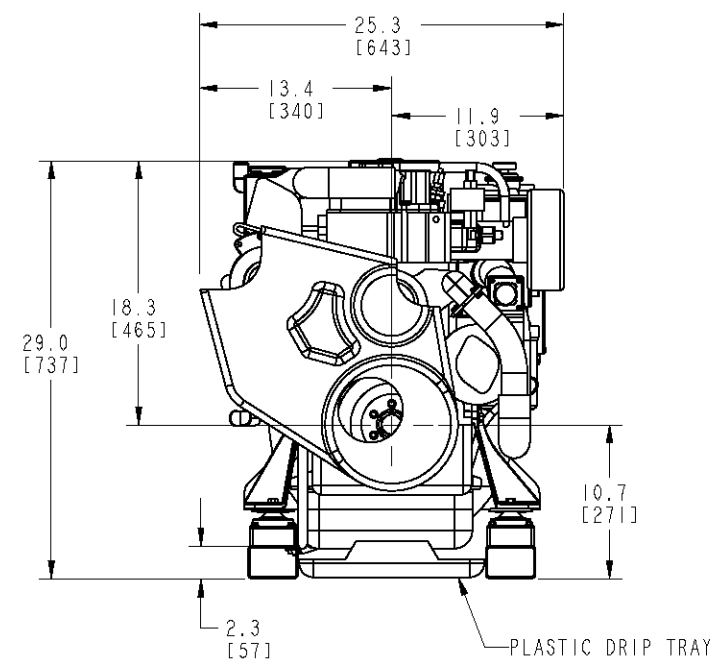
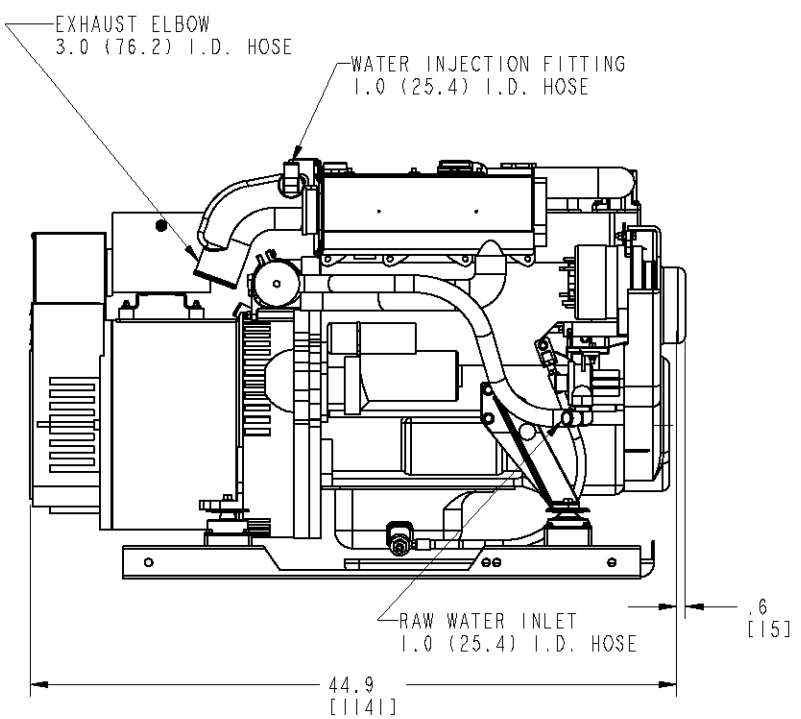


Ø1.5 (38.0) TAPERED 5° TO A DEPTH OF 1.65 (42.0)

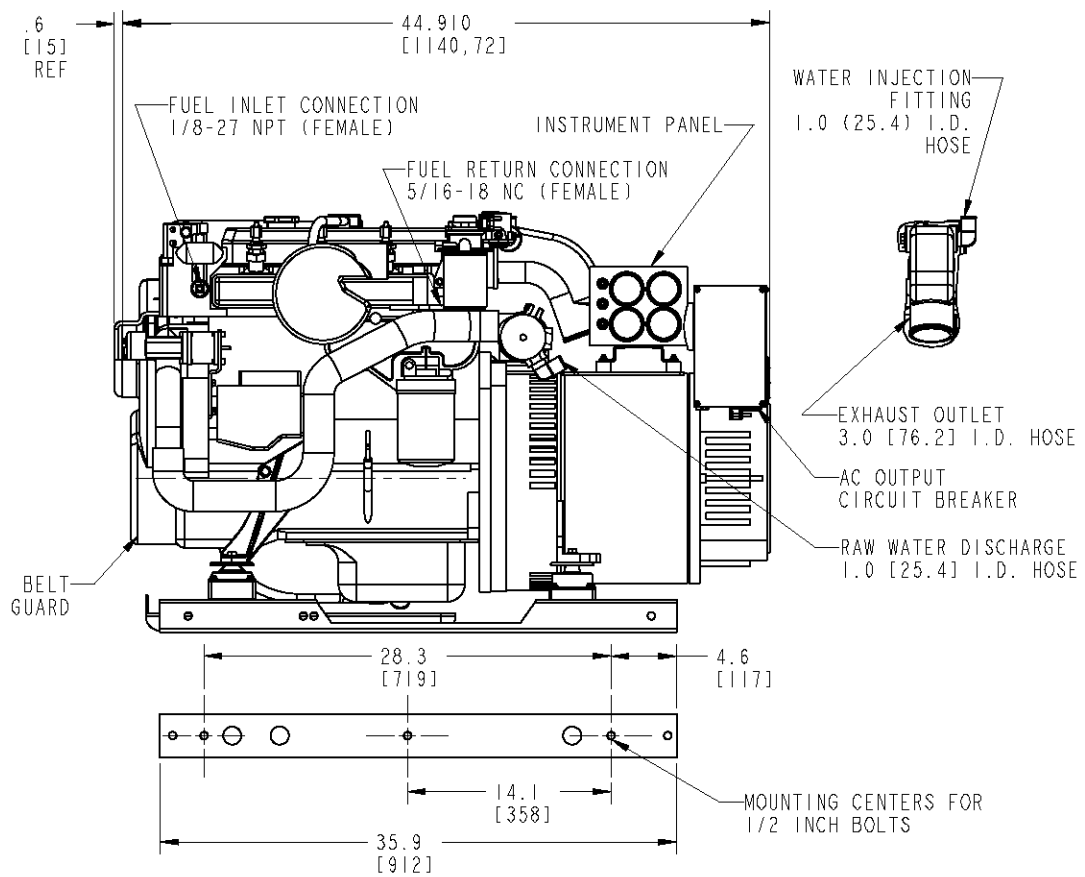
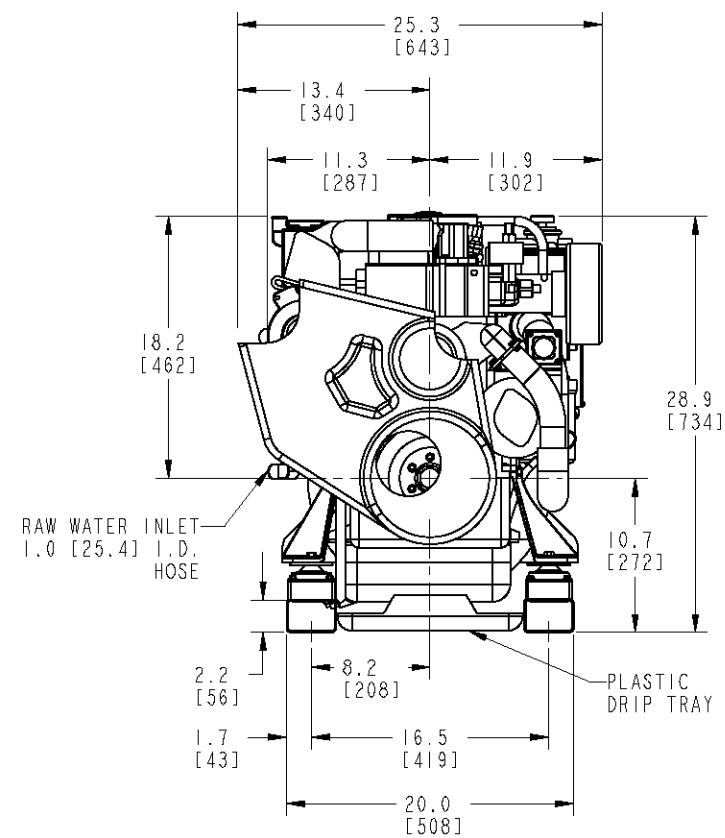
M12x1.5 THREAD TO A DEPTH OF 2.8 (71.1) MEASURED FROM SURFACE OF Ø1.5 TAPERED HOLE

M10x1.5 THREAD, .78 (20.0) DEEP (6) HOLES EQUALLY SPACED ON A Ø9.48 (240.0) B.C.

Ø8.6 BY .275 (7.0) DEEP [218]



TOLERANCES (UNLESS OTHERWISE NOTED)		WESTERBEKE CORPORATION TAUNTON, MA. 02780	
INCHES	MILLIMETERS	TITLE	
.XX	.XX	INSTALLATION DRAWING	
.XXX	.XX	20.0 KW BEDA AND 25.0 KW BED	
CAST	.XX	DRAWN BY	DATE
ANGLES	.XX	WPM	1-10-92
FINISH		APPROVED BY	MATERIAL:
DIMENSIONS		SCALE	SIZE
INCHES		0.150	D
MILLIMETERS		SHT. 1 of 2	DRAWING NUMBER
(WHEN APPLICABLE)			39418
			REV.
			E



TOLERANCES <small>(UNLESS OTHERWISE NOTED)</small>		WESTERBEKE CORPORATION TAUNTON, MA. 02780			
INCHES .XX ± .02 .XXX ± .005 CAST ± .03 ANGLES ± .5° FINISH	MILLIMETERS X ± 1.0 X ± .5 .XX ± .13	TITLE INSTALLATION DRAWING 20.0 BEDA AND 25.0 BED			
DIMENSIONS INCHES MILLIMETERS <small>(WHEN APPLICABLE)</small>		DRAWN BY GA	DATE 18/Aug/03	MATERIAL:	
APPROVED BY		DATE	SCALE 0.150	SIZE D	DRAWING NUMBER 39418
SHT. 2 OF 2		REV.	E	E	